

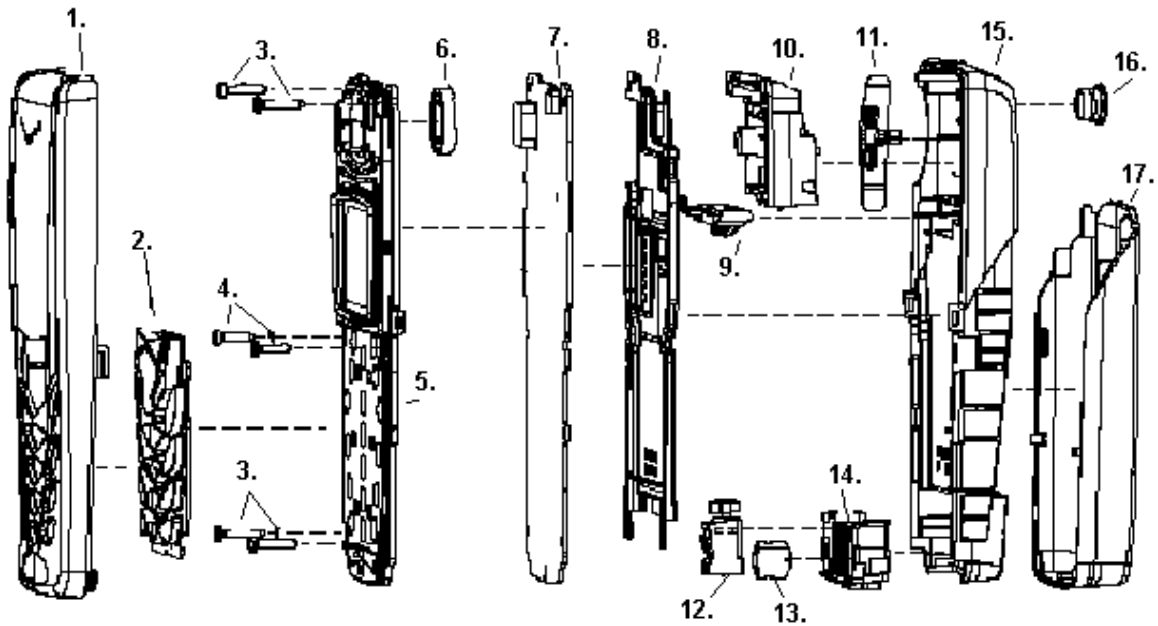
Programmes After Market Services NPW-3 Series Transceivers

4. Parts List

Contents

	Page No
Exploded View of NPW-3	5
Assembly Parts.....	5
Parts List	6
NPW-3 (8265) — EDMS Issue 2.2 Code: 0201795 (Mexico)	6
NPW-3 (8265) — EDMS Issue 2.2 Code: 0201831 (Brazil)	6

Exploded View of NPW-3



Assembly Parts

Item	Qty	Code	Description
1	1	9494091	A-cover assembly (# for AWS charcoal)
2	1	9794110	Keymat assembly (# for AWS grey)
3	4	6150065	Screws M1.6x9.0mm
4	2	6150067	Screws M1.6x7.0mm
5	1	4850241	UI module
6	1	5140067	Speaker
7	1	9854590	Engine PWB
8	1	9510783	RF shield
9	1	5409199	Battery connector
10	1	0660247	Antenna module
11	1	9452133	Volume key
12	1	6800055	Vibra motor
13	1	5140205	Microphone
14	1	5400181	System connector
15	1	9494064	B-cover assembly
16	1	9510858	Plug RF coupler
17	1	9452483	Battery cover

Parts List

NPW-3 (8265) – EDMS Issue 2.2 Code: 0201795 (Mexico)

NPW-3 (8265) – EDMS Issue 2.2 Code: 0201831 (Brazil)

Item	Code	Side	X	Y	Description	Value	Type
R113	1430726	Top	T	7	chip resistor	0W06 100R J	0402
R151	1430690	Top	O	4	chip resistor jumper	OR0	0402
R153	1419007	Top	T	4	chip resistor	0W5 0R22 G 200PPM	1210
R154	1430826	Top	P	3	chip resistor	0W06 680K J	0402
R158	1620025	Top	O	4	res network	0W06 2X100K J	0404
R159	1430832	Top	M	5	chip resistor	0W06 2K7 J	0402
R160	1620019	Top	O	5	res network	0W06 2X10K J	0404
R161	1620025	Top	P	4	res network	0W06 2X100K J	0404
R163	1620019	Top	O	4	res network	0W06 2X10K J	0404
R165	1430796	Top	P	4	chip resistor	0W06 47K J	0402
R166	1825005	Bottom	S	7	chip varistor	VWM14V VC30V	0805
R167	1430853	Top	P	3	chip resistor	0W06 2M2 J	0402
R170	1430804	Top	L	5	chip resistor	0W06 100K J	0402
R200	1620025	Top	P	3	res network	0W06 2X100K J	0404
R201	1620025	Top	P	3	res network	0W06 2X100K J	0404
R202	1430770	Top	Q	6	chip resistor	0W06 4K7 J	0402
R209	1430812	Top	Q	5	chip resistor	0W06 220K J	0402
R210	1430770	Bottom	S	8	chip resistor	0W06 4K7 J	0402
R211	1430804	Top	P	4	chip resistor	0W06 100K J	0402
R212	1430796	Top	P	5	chip resistor	0W06 47K J	0402
R215	1430690	Top	Q	7	chip resistor jumper	OR0	0402
R220	1430788	Top	P	4	chip resistor	0W06 22K J	0402
R250	1620019	Top	Q	7	res network	0W06 2X10K J	0404
R251	1430710	Top	P	6	chip resistor	0W06 22R J	0402
R252	1430710	Top	P	6	chip resistor	0W06 22R J	0402
R254	1620031	Top	O	7	res network	0W06 2X1K0 J	0404

Item	Code	Side	X	Y	Description	Value	Type
R255	1430778	Top	Q	7	chip resistor	0W06 10K J	0402
R256	1620025	Top	P	6	res network	0W06 2X100K J	0404
R257	1430808	Top	P	8	chip resistor	0W06 150K J	0402
R259	1430804	Top	P	8	chip resistor	0W06 100K J	0402
R260	1430826	Top	P	5	chip resistor	0W06 680K J	0402
R261	1430826	Top	P	5	chip resistor	0W06 680K J	0402
R262	1430812	Top	P	5	chip resistor	0W06 220K J	0402
R264	1430145	Top	Q	8	chip resistor	0W06 100K F 200PPM	0402
R265	1430145	Top	Q	8	chip resistor	0W06 100K F 200PPM	0402
R266	1430726	Top	O	7	chip resistor	0W06 100R J	0402
R267	1430826	Top	P	8	chip resistor	0W06 680K J	0402
R275	1620031	Top	P	7	res network	0W06 2X1K0 J	0404
R280	1430726	Top	T	8	chip resistor	0W06 100R J	0402
R281	1430726	Top	S	8	chip resistor	0W06 100R J	0402
R305	1413829	Top	T	3	chip resistor	0W1 10R J	0805
R306	1413829	Top	T	5	chip resistor	0W1 10R J	0805
R307	1413829	Top	U	5	chip resistor	0W1 10R J	0805
R308	1430726	Top	T	8	chip resistor	0W06 100R J	0402
R309	1430726	Top	T	7	chip resistor	0W06 100R J	0402
R310	1430784	Top	N	9	chip resistor	0W06 15K J	0402
R311	1430784	Top	N	7	chip resistor	0W06 15K J	0402
R312	1430796	Top	T	4	chip resistor	0W06 47K J	0402
R313	1430812	Top	M	6	chip resistor	0W06 220K J	0402
R314	1430796	Top	M	6	chip resistor	0W06 47K J	0402
R331	1620031	Top	M	6	res network	0W06 2X1K0 J	0404
R332	1430754	Top	M	6	chip resistor	0W06 1K0 J	0402
R333	1620031	Top	N	8	res network	0W06 2X1K0 J	0404
R335	1620031	Top	N	7	res network	0W06 2X1K0 J	0404
R337	1620031	Top	M	6	res network	0W06 2X1K0 J	0404
R339	1620031	Top	L	6	res network	0W06 2X1K0 J	0404
R701	1430710	Bottom	I	6	chip resistor	0W06 22R J	0402

Item	Code	Side	X	Y	Description	Value	Type
R721	1430718	Bottom	N	3	chip resistor	0W06 47R J	0402
R725	1430710	Bottom	I	4	chip resistor	0W06 22R J	0402
R744	1430758	Bottom	O	3	chip resistor	0W06 1K5 J	0402
R750	1430690	Bottom	O	3	chip resistor jumper	0R0	0402
R751	1430790	Bottom	O	3	chip resistor	0W06 27K J	0402
R752	1430744	Bottom	N	3	chip resistor	0W06 470R J	0402
R756	1430790	Bottom	N	3	chip resistor	0W06 27K J	0402
R758	1430778	Bottom	P	4	chip resistor	0W06 10K J	0402
R760	1620071	Bottom	N	4	res network	0W06 4X4K7 J	0804
R761	1430812	Bottom	M	3	chip resistor	0W06 220K J	0402
R762	1430851	Bottom	O	3	chip resistor	0W06 15K G 200PPM	0402
R763	1430758	Bottom	P	4	chip resistor	0W06 1K5 J	0402
R764	1430744	Bottom	Q	5	chip resistor	0W06 470R J	0402
R765	1430744	Bottom	Q	5	chip resistor	0W06 470R J	0402
R767	1430770	Bottom	N	3	chip resistor	0W06 4K7 J	0402
R768	1430778	Bottom	P	4	chip resistor	0W06 10K J	0402
R770	1430700	Bottom	P	3	chip resistor	0W06 10R J	0402
R771	1430700	Bottom	N	5	chip resistor	0W06 10R J	0402
R774	1430764	Bottom	O	6	chip resistor	0W06 3K3 J	0402
R775	1430804	Bottom	P	3	chip resistor	0W06 100K J	0402
R779	1430762	Bottom	P	6	chip resistor	0W06 2K2 J	0402
R781	1430762	Bottom	P	6	chip resistor	0W06 2K2 J	0402
R782	1430762	Bottom	P	6	chip resistor	0W06 2K2 J	0402
R786	1430726	Bottom	N	5	chip resistor	0W06 100R J	0402
R788	1430748	Bottom	O	5	chip resistor	0W06 680R J	0402
R789	1430748	Bottom	P	5	chip resistor	0W06 680R J	0402
R795	1430726	Bottom	O	6	chip resistor	0W06 100R J	0402
R796	1430700	Bottom	M	6	chip resistor	0W06 10R J	0402
R798	1430778	Bottom	P	5	chip resistor	0W06 10K J	0402
R801	1430754	Bottom	Q	3	chip resistor	0W06 1K0 J	0402
R802	1430754	Bottom	Q	3	chip resistor	0W06 1K0 J	0402

Item	Code	Side	X	Y	Description	Value	Type
R803	1430754	Bottom	M	8	chip resistor	0W06 1K0 J	0402
R820	1430700	Bottom	N	5	chip resistor	0W06 10R J	0402
R821	1430726	Bottom	K	6	chip resistor	0W06 100R J	0402
R822	1430754	Bottom	K	6	chip resistor	0W06 1K0 J	0402
R823	1430726	Bottom	K	6	chip resistor	0W06 100R J	0402
R824	1430792	Bottom	K	6	chip resistor	0W06 33K J	0402
R850	1430700	Bottom	N	8	chip resistor	0W06 10R J	0402
R851	1430778	Bottom	P	8	chip resistor	0W06 10K J	0402
R852	1430690	Bottom	N	7	chip resistor jumper	0R0	0402
R870	1430700	Bottom	M	6	chip resistor	0W06 10R J	0402
R871	1430772	Bottom	M	7	chip resistor	0W06 5K6 J	0402
R872	1430700	Bottom	M	7	chip resistor	0W06 10R J	0402
R880	1430700	Bottom	M	5	chip resistor	0W06 10R J	0402
R881	1430700	Bottom	L	5	chip resistor	0W06 10R J	0402
R883	1430764	Bottom	K	5	chip resistor	0W06 3K3 J	0402
R884	1430726	Bottom	K	5	chip resistor	0W06 100R J	0402
R885	1430778	Bottom	K	5	chip resistor	0W06 10K J	0402
R900	1430718	Bottom	J	8	chip resistor	0W06 47R J	0402
R901	1430754	Bottom	G	8	chip resistor	0W06 1K0 J	0402
R902	1430690	Bottom	F	9	chip resistor jumper	0R0	0402
R903	1430718	Bottom	J	8	chip resistor	0W06 47R J	0402
R905	1430832	Bottom	G	9	chip resistor	0W06 2K7 J	0402
R906	1430732	Bottom	I	8	chip resistor	0W06 180R J	0402
R907	1430690	Bottom	H	9	chip resistor jumper	0R0	0402
R925	1430718	Bottom	K	8	chip resistor	0W06 47R J	0402
R926	1430718	Bottom	K	8	chip resistor	0W06 47R J	0402
R933	1430718	Bottom	E	6	chip resistor	0W06 47R J	0402
R934	1620101	Bottom	G	6	res network	0W06 2X470R J	0404
R936	1430754	Bottom	E	6	chip resistor	0W06 1K0 J	0402
R937	1430770	Bottom	F	5	chip resistor	0W06 4K7 J	0402
R938	1430784	Bottom	G	6	chip resistor	0W06 15K J	0402

Item	Code	Side	X	Y	Description	Value	Type
R939	1430770	Bottom	G	6	chip resistor	0W06 4K7 J	0402
R940	1820035	Bottom	H	4	NTC res 47K J	B=4050 +-3%	0805
R941	1430718	Bottom	D	8	chip resistor	0W06 47R J	0402
R942	1430762	Bottom	F	6	chip resistor	0W06 2K2 J	0402
R943	1430744	Bottom	G	6	chip resistor	0W06 470R J	0402
R944	1430770	Bottom	G	7	chip resistor	0W06 4K7 J	0402
R945	1430754	Bottom	G	7	chip resistor	0W06 1K0 J	0402
R980	1430740	Bottom	J	4	chip resistor	0W06 330R J	0402
R984	1430732	Bottom	H	2	chip resistor	0W06 180R J	0402
C100	2320560	Bottom	G	5	chip cap	NP0 100P J 50V	0402
C101	2320560	Bottom	F	4	chip cap	NP0 100P J 50V	0402
C102	2320560	Bottom	F	3	chip cap	NP0 100P J 50V	0402
C112	2320544	Bottom	S	8	chip cap	NP0 22P J 50V	0402
C151	2320544	Bottom	S	8	chip cap	NP0 22P J 50V	0402
C152	2320620	Top	M	5	chip cap	X7R 10N J 16V	0402
C153	2320620	Top	P	4	chip cap	X7R 10N J 16V	0402
C154	2320548	Top	P	4	chip cap	NP0 33P J 50V	0402
C155	2320540	Top	O	3	chip cap	NP0 15P J 50V	0402
C157	2320620	Top	N	5	chip cap	X7R 10N J 16V	0402
C158	2320481	Top	L	4	chip cap	X5R 1U K 6V3	0603
C159	2320481	Top	M	5	chip cap	X5R 1U K 6V3	0603
C160	2320481	Top	N	5	chip cap	X5R 1U K 6V3	0603
C161	2320481	Top	M	5	chip cap	X5R 1U K 6V3	0603
C162	2320481	Top	M	5	chip cap	X5R 1U K 6V3	0603
C163	2320481	Top	L	4	chip cap	X5R 1U K 6V3	0603
C164	2320481	Top	M	5	chip cap	X5R 1U K 6V3	0603
C165	2320620	Top	O	5	chip cap	X7R 10N J 16V	0402
C166	2320481	Top	N	4	chip cap	X5R 1U K 6V3	0603
C167	2320620	Top	N	4	chip cap	X7R 10N J 16V	0402
C168	2320620	Top	N	4	chip cap	X7R 10N J 16V	0402
C169	2320481	Top	P	3	chip cap	X5R 1U K 6V3	0603
C170	2320481	Top	L	3	chip cap	X5R 1U K 6V3	0603

Item	Code	Side	X	Y	Description	Value	Type
C171	2320584	Top	N	3	chip cap	X7R 1N0 J 50V	0402
C175	2312405	Top	N	3	chip cap	X7R 2U2 K 10V	1206
C176	2320469	Top	L	3	chip cap	Y5V 1U0 Z 10V	0603
C178	2611715	Bottom	S	7	chiptcap	1U0 M 35V	3.2X1.6X1.6
C180	2312401	Bottom	R	4	chip cap	X5R 1U0 K 10V	0805
C181	2320783	Bottom	S	5	chip cap	X7R 33N K 10V	0402
C185	2611727	Bottom	M	3	chiptcap	15U M 10V	3.2X1.6X1.6
C186	2610029	Top	O	4	chiptcap	10U M 10V	3.5X2.8X1.2
C187	2320481	Top	N	4	chip cap	X5R 1U K 6V3	0603
C189	2320481	Top	L	4	chip cap	X5R 1U K 6V3	0603
C190	2320629	Top	O	3	chip cap	NP0 1P0 B 50V	0402
C192	2610029	Top	O	3	chiptcap	10U M 10V	3.5X2.8X1.2
C200	2320807	Top	P	8	chip cap	X5R 100N K 10V	0402
C201	2320481	Top	P	5	chip cap	X5R 1U K 6V3	0603
C202	2320779	Top	Q	7	chip cap	X7R 100N K 16V	0603
C203	2320481	Top	R	5	chip cap	X5R 1U K 6V3	0603
C210	2320783	Top	P	3	chip cap	X7R 33N K 10V	0402
C214	2320481	Bottom	R	3	chip cap	X5R 1U K 6V3	0603
C217	2320481	Bottom	R	3	chip cap	X5R 1U K 6V3	0603
C218	2320481	Top	P	4	chip cap	X5R 1U K 6V3	0603
C219	2320481	Bottom	S	3	chip cap	X5R 1U K 6V3	0603
C220	2320807	Top	P	3	chip cap	X5R 100N K 10V	0402
C221	2320807	Bottom	R	4	chip cap	X5R 100N K 10V	0402
C225	2320481	Bottom	R	5	chip cap	X5R 1U K 6V3	0603
C255	2320783	Top	P	6	chip cap	X7R 33N K 10V	0402
C256	2320783	Top	O	7	chip cap	X7R 33N K 10V	0402
C257	2610029	Top	O	8	chiptcap	10U M 10V	3.5X2.8X1.2
C258	2320807	Top	P	7	chip cap	X5R 100N K 10V	0402
C259	2312295	Top	P	6	chip cap	Y5V 10U Z 10V	1206
C260	2312295	Top	Q	6	chip cap	Y5V 10U Z 10V	1206
C261	2320560	Top	P	6	chip cap	NP0 100P J 50V	0402
C262	2320560	Top	P	6	chip cap	NP0 100P J 50V	0402

Item	Code	Side	X	Y	Description	Value	Type
C263	2320807	Top	N	7	chip cap	X5R 100N K 10V	0402
C264	2320807	Top	N	7	chip cap	X5R 100N K 10V	0402
C265	2320807	Top	N	7	chip cap	X5R 100N K 10V	0402
C266	2320807	Top	O	7	chip cap	X5R 100N K 10V	0402
C274	2320807	Top	N	6	chip cap	X5R 100N K 10V	0402
C275	2320807	Top	O	5	chip cap	X5R 100N K 10V	0402
C276	2320807	Top	N	6	chip cap	X5R 100N K 10V	0402
C277	2320807	Top	N	6	chip cap	X5R 100N K 10V	0402
C280	2320558	Top	T	8	chip cap	NP0 82P J 50V	0402
C281	2320558	Top	S	8	chip cap	NP0 82P J 50V	0402
C285	2320783	Top	P	7	chip cap	X7R 33N K 10V	0402
C286	2320481	Top	P	8	chip cap	X5R 1U K 6V3	0603
C303	2320544	Top	L	6	chip cap	NP0 22P J 50V	0402
C304	2320544	Top	T	6	chip cap	NP0 22P J 50V	0402
C305	2320544	Top	L	6	chip cap	NP0 22P J 50V	0402
C306	2320544	Top	L	6	chip cap	NP0 22P J 50V	0402
C307	2320544	Top	T	7	chip cap	NP0 22P J 50V	0402
C330	2320560	Top	L	7	chip cap	NP0 100P J 50V	0402
C331	2320560	Top	M	8	chip cap	NP0 100P J 50V	0402
C332	2320560	Top	M	7	chip cap	NP0 100P J 50V	0402
C333	2320560	Top	M	7	chip cap	NP0 100P J 50V	0402
C334	2320560	Top	M	6	chip cap	NP0 100P J 50V	0402
C335	2320560	Top	N	7	chip cap	NP0 100P J 50V	0402
C336	2320560	Top	L	8	chip cap	NP0 100P J 50V	0402
C337	2320560	Top	M	8	chip cap	NP0 100P J 50V	0402
C338	2320560	Top	L	8	chip cap	NP0 100P J 50V	0402
C339	2320560	Top	L	7	chip cap	NP0 100P J 50V	0402
C340	2320560	Top	L	7	chip cap	NP0 100P J 50V	0402
C341	2320560	Top	M	9	chip cap	NP0 100P J 50V	0402
C343	2320807	Top	D	9	chip cap	X5R 100N K 10V	0402
C344	2320807	Top	D	9	chip cap	X5R 100N K 10V	0402
C701	2320629	Bottom	H	3	chip cap	NP0 1P0 B 50V	0402

Item	Code	Side	X	Y	Description	Value	Type
C703	2320552	Bottom	K	6	chip cap	NPO 47P J 50V	0402
C705	2320592	Bottom	P	6	chip cap	X7R 2N2 J 50V	0402
C706	2320552	Bottom	K	7	chip cap	NPO 47P J 50V	0402
C707	2320522	Bottom	J	5	chip cap	NPO 2P7 C 50V	0402
C708	2320520	Bottom	J	5	chip cap	NPO 2P2 C 50V	0402
C709	2320552	Bottom	J	7	chip cap	NPO 47P J 50V	0402
C710	2320620	Bottom	J	7	chip cap	X7R 10N J 16V	0402
C713	2320560	Bottom	O	6	chip cap	NPO 100P J 50V	0402
C715	2320540	Bottom	O	6	chip cap	NPO 15P J 50V	0402
C716	2320524	Bottom	N	6	chip cap	NPO 3P3 C 50V	0402
C717	2320612	Bottom	O	6	chip cap	NPO(60PPM) 12P G 50V	0402
C719	2320618	Bottom	O	5	chip cap	X7R 4N7 J 25V	0402
C720	2320618	Bottom	N	3	chip cap	X7R 4N7 J 25V	0402
C721	2320560	Bottom	P	5	chip cap	NPO 100P J 50V	0402
C729	2320620	Bottom	I	4	chip cap	X7R 10N J 16V	0402
C733	2320536	Bottom	I	2	chip cap	NPO 10P J 50V	0402
C734	2320536	Bottom	H	3	chip cap	NPO 10P J 50V	0402
C735	2320520	Bottom	H	4	chip cap	NPO 2P2 C 50V	0402
C736	2320524	Bottom	M	4	chip cap	NPO 3P3 C 50V	0402
C739	2320522	Bottom	J	4	chip cap	NPO 2P7 C 50V	0402
C742	2320560	Bottom	M	4	chip cap	NPO 100P J 50V	0402
C743	2320552	Bottom	O	5	chip cap	NPO 47P J 50V	0402
C744	2320514	Bottom	N	6	chip cap	NPO 1P2 C 50V	0402
C745	2320617	Bottom	O	5	chip cap	NPO 30P G 50V0	0402
C746	2320560	Bottom	O	3	chip cap	NPO 100P J 50V	0402
C748	2320620	Bottom	N	4	chip cap	X7R 10N J 16V	0402
C749	2320560	Bottom	N	3	chip cap	NPO 100P J 50V	0402
C750	2320584	Bottom	P	5	chip cap	X7R 1N0 J 50V	0402
C751	2320584	Bottom	P	5	chip cap	X7R 1N0 J 50V	0402
C755	2320568	Bottom	P	3	chip cap	X7R 220P J 50V	0402
C756	2320620	Bottom	N	3	chip cap	X7R 10N J 16V	0402
C757	2320576	Bottom	N	4	chip cap	X7R 470P J 50V	0402

Item	Code	Side	X	Y	Description	Value	Type
C758	2320576	Bottom	N	4	chip cap	X7R 470P J 50V	0402
C759	2320783	Bottom	M	3	chip cap	X7R 33N K 10V	0402
C760	2320560	Bottom	P	3	chip cap	NP0 100P J 50V	0402
C761	2320618	Bottom	P	4	chip cap	X7R 4N7 J 25V	0402
C762	2320618	Bottom	P	4	chip cap	X7R 4N7 J 25V	0402
C763	2320618	Bottom	P	4	chip cap	X7R 4N7 J 25V	0402
C764	2320584	Bottom	P	4	chip cap	X7R 1N0 J 50V	0402
C765	2320584	Bottom	P	3	chip cap	X7R 1N0 J 50V	0402
C766	2320592	Bottom	O	3	chip cap	X7R 2N2 J 50V	0402
C767	2320618	Bottom	P	7	chip cap	X7R 4N7 J 25V	0402
C768	2320618	Bottom	P	7	chip cap	X7R 4N7 J 25V	0402
C769	2320620	Bottom	Q	5	chip cap	X7R 10N J 16V	0402
C770	2320620	Bottom	Q	5	chip cap	X7R 10N J 16V	0402
C772	2312401	Bottom	M	6	chip cap	X5R 1U0 K 10V	0805
C773	2320618	Bottom	P	4	chip cap	X7R 4N7 J 25V	0402
C779	2320620	Bottom	N	5	chip cap	X7R 10N J 16V	0402
C780	2320586	Bottom	O	6	chip cap	X7R 1N2 J 50V	0402
C781	2320620	Bottom	P	3	chip cap	X7R 10N J 16V	0402
C782	2312401	Bottom	P	3	chip cap	X5R 1U0 K 10V	0805
C783	2320620	Bottom	N	5	chip cap	X7R 10N J 16V	0402
C784	2320620	Bottom	P	4	chip cap	X7R 10N J 16V	0402
C785	2320552	Bottom	N	5	chip cap	NP0 47P J 50V	0402
C786	2320620	Bottom	N	5	chip cap	X7R 10N J 16V	0402
C787	2320564	Bottom	O	3	chip cap	NP0 150P J 50V	0402
C788	2320560	Bottom	N	4	chip cap	NP0 100P J 50V	0402
C789	2320592	Bottom	P	6	chip cap	X7R 2N2 J 50V	0402
C790	2320807	Bottom	O	6	chip cap	X5R 100N K 10V	0402
C791	2320807	Bottom	I	6	chip cap	X5R 100N K 10V	0402
C792	2320807	Bottom	H	5	chip cap	X5R 100N K 10V	0402
C793	2320807	Bottom	H	7	chip cap	X5R 100N K 10V	0402
C794	2320481	Bottom	I	7	chip cap	X5R 1U K 6V3	0603
C795	2320807	Bottom	I	7	chip cap	X5R 100N K 10V	0402

Item	Code	Side	X	Y	Description	Value	Type
C796	2312401	Bottom	H	5	chip cap	X5R 1U0 K 10V	0805
C797	2312401	Bottom	I	5	chip cap	X5R 1U0 K 10V	0805
C798	2320807	Bottom	H	5	chip cap	X5R 100N K 10V	0402
C799	2320536	Bottom	H	5	chip cap	NPO 10P J 50V	0402
C820	2310793	Bottom	M	6	chip cap	X5R 2U2 K 10V	0805
C821	2320560	Bottom	N	5	chip cap	NPO 100P J 50V	0402
C822	2320584	Bottom	K	6	chip cap	X7R 1N0 J 50V	0402
C823	2320564	Bottom	K	6	chip cap	NPO 150P J 50V	0402
C824	2320564	Bottom	K	6	chip cap	NPO 150P J 50V	0402
C825	2320526	Bottom	K	6	chip cap	NPO 3P9 C 50V	0402
C826	2312221	Bottom	K	7	chip cap	NPO 4N7 J 25V Q4000	0805
C827	2320536	Bottom	K	7	chip cap	NPO 10P J 50V	0402
C828	2310793	Bottom	M	6	chip cap	X5R 2U2 K 10V	0805
C850	2312401	Bottom	N	8	chip cap	X5R 1U0 K 10V	0805
C851	2320584	Bottom	N	7	chip cap	X7R 1N0 J 50V	0402
C854	2320584	Bottom	M	7	chip cap	X7R 1N0 J 50V	0402
C855	2320807	Bottom	P	8	chip cap	X5R 100N K 10V	0402
C870	2320584	Bottom	M	7	chip cap	X7R 1N0 J 50V	0402
C871	2320584	Bottom	M	8	chip cap	X7R 1N0 J 50V	0402
C872	2320584	Bottom	L	7	chip cap	X7R 1N0 J 50V	0402
C873	2312401	Bottom	M	8	chip cap	X5R 1U0 K 10V	0805
C874	2312401	Bottom	M	8	chip cap	X5R 1U0 K 10V	0805
C875	2320560	Bottom	M	7	chip cap	NPO 100P J 50V	0402
C880	2312401	Bottom	M	5	chip cap	X5R 1U0 K 10V	0805
C881	2320560	Bottom	M	5	chip cap	NPO 100P J 50V	0402
C882	2320520	Bottom	L	5	chip cap	NPO 2P2 C 50V	0402
C883	2320584	Bottom	K	6	chip cap	X7R 1N0 J 50V	0402
C884	2320584	Bottom	K	5	chip cap	X7R 1N0 J 50V	0402
C885	2320564	Bottom	L	5	chip cap	NPO 150P J 50V	0402
C886	2320564	Bottom	K	5	chip cap	NPO 150P J 50V	0402
C887	2420017	Bottom	K	5	chip cap	PPS 18N J 16V	1206
C888	2320536	Bottom	L	8	chip cap	NPO 10P J 50V	0402

Item	Code	Side	X	Y	Description	Value	Type
C889	2320530	Bottom	L	5	chip cap	NPO 5P6 C 50V	0402
C890	2320520	Bottom	L	5	chip cap	NPO 2P2 C 50V	0402
C902	2320560	Bottom	J	8	chip cap	NPO 100P J 50V	0402
C903	2320560	Bottom	J	9	chip cap	NPO 100P J 50V	0402
C904	2320560	Bottom	J	9	chip cap	NPO 100P J 50V	0402
C905	2320620	Bottom	J	9	chip cap	X7R 10N J 16V	0402
C906	2320524	Bottom	I	9	chip cap	NPO 3P3 C 50V	0402
C907	2320584	Bottom	I	9	chip cap	X7R 1N0 J 50V	0402
C908	2320552	Bottom	I	9	chip cap	NPO 47P J 50V	0402
C909	2320552	Bottom	I	9	chip cap	NPO 47P J 50V	0402
C910	2320552	Bottom	G	8	chip cap	NPO 47P J 50V	0402
C912	2320807	Bottom	G	8	chip cap	X5R 100N K 10V	0402
C913	2320552	Bottom	F	7	chip cap	NPO 47P J 50V	0402
C914	2611727	Bottom	F	7	chiptcap	15U M 10V	3.2X1.6X1.6
C915	2320552	Bottom	F	9	chip cap	NPO 47P J 50V	0402
C917	2320921	Bottom	F	9	chip cap	NPO HQ 3P9 J 16V	0402
C918	2320939	Bottom	F	8	chip cap	NPO HQ 10P F 16V	0402
C919	2320921	Bottom	E	9	chip cap	NPO HQ 3P9 J 16V	0402
C920	2320536	Bottom	E	9	chip cap	NPO 10P J 50V	0402
C921	2320552	Bottom	H	9	chip cap	NPO 47P J 50V	0402
C922	2320552	Bottom	G	8	chip cap	NPO 47P J 50V	0402
C923	2320530	Bottom	J	8	chip cap	NPO 5P6 C 50V	0402
C931	2320520	Bottom	E	9	chip cap	NPO 2P2 C 50V	0402
C932	2320629	Bottom	E	5	chip cap	NPO 1P0 B 50V	0402
C934	2320552	Bottom	G	6	chip cap	NPO 47P J 50V	0402
C937	2320552	Bottom	G	7	chip cap	NPO 47P J 50V	0402
C938	2320536	Bottom	F	6	chip cap	NPO 10P J 50V	0402
C939	2320552	Bottom	G	7	chip cap	NPO 47P J 50V	0402
C941	2320544	Bottom	E	5	chip cap	NPO 22P J 50V	0402
C943	2320552	Bottom	F	7	chip cap	NPO 47P J 50V	0402
C949	2320522	Bottom	E	6	chip cap	NPO 2P7 C 50V	0402

Item	Code	Side	X	Y	Description	Value	Type
C950	2320536	Bottom	H	2	chip cap	NP0 10P J 50V	0402
C951	2320584	Bottom	H	3	chip cap	X7R 1N0 J 50V	0402
C952	2320536	Bottom	F	3	chip cap	NP0 10P J 50V	0402
C953	2320536	Bottom	H	3	chip cap	NP0 10P J 50V	0402
C960	2312401	Bottom	F	4	chip cap	X5R 1U0 K 10V	0805
C961	2320560	Bottom	E	4	chip cap	NP0 100P J 50V	0402
C962	2320544	Bottom	F	3	chip cap	NP0 22P J 50V	0402
C963	2320481	Bottom	D	3	chip cap	X5R 1U K 6V3	0603
C965	2320903	Bottom	E	5	chip cap	NP0 HQ 2P7 J 16V	0402
C966	2320903	Bottom	E	5	chip cap	NP0 HQ 2P7 J 16V	0402
C967	2320532	Bottom	D	5	chip cap	NP0 6P8 C 50V	0402
C968	2320536	Bottom	F	5	chip cap	NP0 10P J 50V	0402
C969	2320807	Bottom	F	5	chip cap	X5R 100N K 10V	0402
C981	2320520	Bottom	J	4	chip cap	NP0 2P2 C 50V	0402
C982	2320560	Bottom	J	4	chip cap	NP0 100P J 50V	0402
C983	2320536	Bottom	J	3	chip cap	NP0 10P J 50V	0402
C984	2320536	Bottom	J	3	chip cap	NP0 10P J 50V	0402
C985	2320620	Top	L	3	chip cap	X7R 10N J 16V	0402
L300	3640035	Top	D	9	filt Z>450R/100M	OR7MAX 0.2A	0603
L301	3640035	Top	C	9	filt Z>450R/100M	OR7MAX 0.2A	0603
L303	3640035	Top	T	7	filt Z>450R/100M	OR7MAX 0.2A	0603
L304	3640035	Top	T	6	filt Z>450R/100M	OR7MAX 0.2A	0603
L701	3645157	Bottom	K	6	chip coil 22N J	Q38/250MHz	0603
L702	3643039	Bottom	K	5	chip coil 220NH J	Q35/100MHz	0805
L703	3645241	Bottom	J	7	chip coil 12N J	Q35/250MHz	0603
L705	3641626	Bottom	J	6	chip coil 220N G	Q50/250MHz	0805
L721	3645249	Bottom	H	3	chip coil 3N9 J	Q22/250MHz	0603
L723	3645157	Bottom	I	4	chip coil 100N K	Q12/100MHz	0603
L724	3640701	Bottom	J	4	chip coil 470N J	Q32/100MHz	1008
L740	3645231	Bottom	O	6	chip coil 39N J	Q40/250MHz	0603
L741	3645301	Bottom	M	3	chip coil 180N J	Q13/100MHz	0603

Item	Code	Side	X	Y	Description	Value	Type
L745	3645231	Bottom	N	6	chip coil 39N J	Q40/250MHz	0603
L747	3645231	Bottom	N	6	chip coil 39N J	Q40/250MHz	0603
L750	3641421	Bottom	P	5	chip coil 100UH J	Q15/0.796M	1008
L761	3645029	Bottom	O	5	chip coil 1U0 K	Q45/10MHz	0805
L762	3641626	Bottom	O	5	chip coil 220N G	Q50/250MHz	0805
L820	3646053	Bottom	K	7	chip coil 4N7 +- ON3	Q28/800M	0402
L850	3641421	Bottom	N	7	chip coil 100UH J	Q15/0.796M	1008
L880	3645155	Bottom	L	7	chip coil 2N7 +- ON3	Q32/800M	0603
L902	3646069	Bottom	I	9	chip coil 33N J	Q23/800MHz	0402
L903	3646069	Bottom	I	8	chip coil 33N J	Q23/800MHz	0402
L904	3646069	Bottom	I	9	chip coil 33N J	Q23/800MHz	0402
L905	3646083	Bottom	G	8	chip coil 100N J	Q16/300MHz	0402
L906	3643073	Bottom	F	8	chip coil 6N8 +- ON5	Q35 1.4A	0805
L908	3646083	Bottom	G	9	chip coil 100N J	Q16/300MHz	0402
L911	3640081	Bottom	E	9	dir coupler	836.5+-12.5MHz	1206
L930	3646085	Bottom	F	6	chip coil 6N8 K	Q29/800MHz	0402
L931	3646083	Bottom	G	7	chip coil 100N J	Q16/300MHz	0402
L940	3646063	Bottom	G	7	chip coil 22N J	Q28/800MHz	0402
L941	3646053	Bottom	E	5	chip coil 4N7 +- ON3	Q28/800M	0402
L951	3646069	Bottom	G	3	chip coil 33N J	Q23/800MHz	0402
L960	3646085	Bottom	D	5	chip coil 6N8 K	Q29/800MHz	0402
L961	3646043	Bottom	E	3	chip coil 1N5 +- ON3	Q33/800M	0402
L962	3646069	Bottom	E	4	chip coil 33N J	Q23/800MHz	0402
L964	3643073	Bottom	E	5	chip coil 6N8 +- ON5	Q35 1.4A	0805
L966	4551003	Bottom	E	6	DIR COUPLER	1880+-30MHz 14DB	
L975	3645157	Bottom	C	7	chip coil 100N K	Q12/100MHz	0603
L981	3646069	Bottom	J	4	chip coil 33N J	Q23/800MHz	0402
Z701	4611125	Bottom	I	5	SAW FILT	881.5+- 12.5MHz/4DB	3X3

Item	Code	Side	X	Y	Description	Value	Type
Z726	4511113	Bottom	H	4	SAW FILT	1960+-30MHz/ 5DB	3X3
Z741	4511011	Bottom	L	3	SAW FILT	116.19+- 0.015MHz	9.3X5
Z750	4550085	Bottom	Q	8	CER FILT 450+-11.5KHz/8DB		6.7X5.7
Z751	4550081	Bottom	Q	6	CER FILT 450+-11.5KHz/8DB		6.7X5.7
Z791	3640085	Bottom	G	5	filt 470NF 16V	OR03 2A	0805
Z900	4511111	Bottom	K	8	DUAL SAW FILT	161/196MHz	5.2X4.7
Z901	4511123	Bottom	H	8	SAW FILT	836.5+- 12.5MHz/3.8DB	3X3
Z910	4512091	Bottom	E	7	DUPL 824-849/	869-894MHz	9.5X7.5
Z920	3640085	Bottom	F	5	filt 470NF 16V	OR03 2A	0805
Z950	4511023	Bottom	I	2	SAW FILT	1880+-30MHz/ 4.2DB	3X3
Z960	4512121	Bottom	C	4	DUPL 1850-1910/	1930-1990MHz	17X8
Z970	4550065	Bottom	C	8	DIPL 824-894/	1850-1990MHz	3.2X1.6
Z975	4511023	Bottom	E	3	SAW FILT	1880+-30MHz/ 4.2DB	3X3
V100	4110441	Top	S	7	SCHDI STPS0520Z	20V 0.5A	SOD123
V101	4110441	Top	S	8	SCHDI STPS0520Z	20V 0.5A	SOD123
V102	4113669	Top	S	7	ZDIX4 TVS/ESD	RSA6.1EN 6V1	SOT353
V110	4113611	Top	S	6	EMIFILT/TVS	EMIF01- 10005W5	SOT353
V150	4210037	Top	M	5	TR BCW30 P 32V	0.1A HFE>150	SOT23
V151	4110441	Top	M	3	SCHDI STPS0520Z	20V 0.5A	SOD123
V152	4210043	Top	L	5	TR DTC143ZE		
V153	4211202	Top	L	5	DMFET BSS84		
V154	4210043	Bottom	S	5	TR DTC143ZE		
V250	4210119	Top	P	8	TR BC849CW N	30V 0.1A >420	SOT323
V251	4210119	Top	P	7	TR BC849CW N	30V 0.1A >420	SOT323
V252	4113611	Top	S	8	EMIFILT/TVS	EMIF01- 10005W5	SOT353
V301	4113669	Top	L	6	ZDIX4 TVS/ESD	RSA6.1EN 6V1	SOT353
V302	4113669	Top	M	6	ZDIX4 TVS/ESD	RSA6.1EN 6V1	SOT353
V320	4864543	Top	G	2	LED CL270WB-D	WHITE 90' VF < 4.0V	

Item	Code	Side	X	Y	Description	Value	Type
V322	4864543	Top	J	2	LED CL270WB-D	WHITE 90' VF < 4.0V	
V323	4864543	Top	J	9	LED CL270WB-D	WHITE 90' VF < 4.0V	
V325	4864543	Top	G	10	LED CL270WB-D	WHITE 90' VF < 4.0V	
V336	4110601	Top	N	8	DI FAST 1SS355	80V0.1A<4NS	SOD323
V723	4110911	Bottom	O	6	CAP.DI MA2SV01	15/7PF 1/3V	SOD523
V901	4210043	Bottom	J	2	TR DTC143ZE		
V902	4210043	Bottom	I	8	TR DTC143ZE		
V929	4110008	Bottom	F	6	SCHDI HSMS2825		
V930	4110008	Bottom	G	6	SCHDI HSMS2825		
V931	4112443	Bottom	F	6	PIN DI BAR64-03W	200V 0.1A	SOD323
V932	4112443	Bottom	G	7	PIN DI BAR64-03W	200V 0.1A	SOD323
N150	4370721	Top	M	4	CCONT 2M	WFD163ME64T/8	TFBGA8X8
N152	4370697	Bottom	S	6	UBA2006T CHAPS	CHARG CONTROL	SO16
N250	4370809	Top	O	6	COBBA_D B07	TWL91309GGVR	UBGA64
N255	4340691	Top	P	8	LMV331M5X	COMP 2.7-5V	SOT23-5
N310	4370433	Top	N	8	UISWITCH	STTM23AV20T	TSSOP20
N700	4370571	Bottom	O	4	EROTUS 1G	WFD170CG80T	80LBGA
N701	4370063	Bottom	J	6	SC3918 TDMA REC	869-894MHz	QSOP16
N702	4340247	Bottom	H	6	MC33765	REG 2.8V	TSSOP16
N721	4370065	Bottom	I	3	SC3919 TDMA REC	1930-1990	QSOP16
N770	4341247	Bottom	N	6	RF AMP 3DBM/2500MHz/2.7V		SOT23-5
N870	4340237	Bottom	L	8	UMA1021M PLL	2.2GHz 3V/9MA	SSOP20
N900	4340171	Bottom	J	8	UPC8106T UPCONV	1.9GHz 3V	SO6S
N902	4340577	Bottom	I	8	RF AMP 21DB/900MHz	3.0V/36MA	SMM6
N903	4370615	Bottom	G	9	RF9130E3	PW AMP 824-849MHz	TDMA

Item	Code	Side	X	Y	Description	Value	Type
N951	4340577	Bottom	H	2	RF AMP 21DB/ 900MHz	3.0V/36MA	SMM6
N960	4370617	Bottom	E	4	RF9131E4	PW AMP	TDMA 1900
N980	4340381	Bottom	J	3	MRFIC1813 UPCONVGAAS	1.9G	TSSOP16
D200	4341615	Top	R	8	SRAM 128KX16	70NS 2.7-3.3V	TBGA48
D201	4340585	Top	R	6	FLASH 1MX16	110NS 2.7V 83A	UBGA48
D202	4370707	Top	R	4	MAD1 V25 ROM7	F741542 C05	UBGA144
G850	4510249	Bottom	O	8	VCTCXO	19.44MHz+- 2.5PPM 2.8V	TDMA
G880	4350161	Bottom	L	6	VCO 985.2- 1010.2MHz	2.8V 10MA	
G881	4350159	Bottom	L	5	VCO 2046- 2106MHz	2.8V 11MA	
B151	4510219	Top	O	3	CRYSTAL	32.768KHz+- 30PPM	9PF
B301	5140211	Top	C	3	BUZZER 85DB3KHz	3.0V	10.4X8.7X3.1
F150	5119019	Bottom	S	7	SM FUSE F 1.5A	32V	0603
S330	5209001	Top	B	8	SM SW TACT SPST	12V 50MA	SIDE KEY
S331	5209001	Bottom	C	2	SM SW TACT SPST	12V 50MA	SIDE KEY
S332	5209001	Bottom	E	2	SM SW TACT SPST	12V 50MA	SIDE KEY
X303	5469081	Top	M	7	SM CONN 2X7M	P0.5 SPR.50V	PCB/PCB
X991	5429021	Bottom	B	8	SM CONN RF+SW	100V 1W 50R	2.2GHz
	9380753				BARCODE LABEL	DMD03311	27X6.5
	9854590				PWB ENGINE	DMF00114	HDB76

